



**CARDINAL®**

# **825-DIO**

## **825 Digital Input/Output Card Installation Guide**



# INSTALLATION



Figure No. 1

1. If the rear panel of the indicator has been removed, proceed to step 2. Otherwise, remove the 14 acorn nuts securing the rear panel to the main housing.
2. Referring to Figure No. 1, choose a gland connector for the I/O cable.
3. Loosen and remove the gland connector nut and remove the plastic plug.
4. Slip the cable through the gland connector and into the enclosure.
5. Referring to Figure No. 2, remove 3 inches of the outer insulation jacket.
6. Next, remove 1/4 inch of insulation from each of the wires.
7. Referring to the corresponding I/O tables and figures in the next sections, connect each wire to the terminal block.
8. To terminate a wire, loosen the screws in the terminal block and then insert the wire into the terminal opening. Tighten the screw to secure the wire in place.
9. Repeat the procedure until all wires are in place.

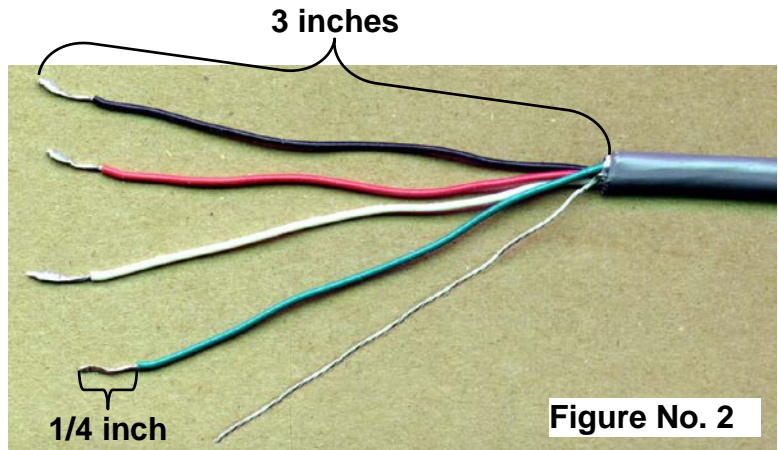


Figure No. 2

# 825-DIO Digital Input/Output Card

The 825-DIO Digital Input/Output card has been designed for the industrial environment where interfacing to switches, sensors, or AC loads (using the optional Cardinal RB8-OPTO relay box) are desired. The 825-DIO when coupled with the 825 Digital Weight Indicator provides a complete input and output system. The customer can program the functions of the eight inputs and outputs from the 825 without the need for complicated programming devices.

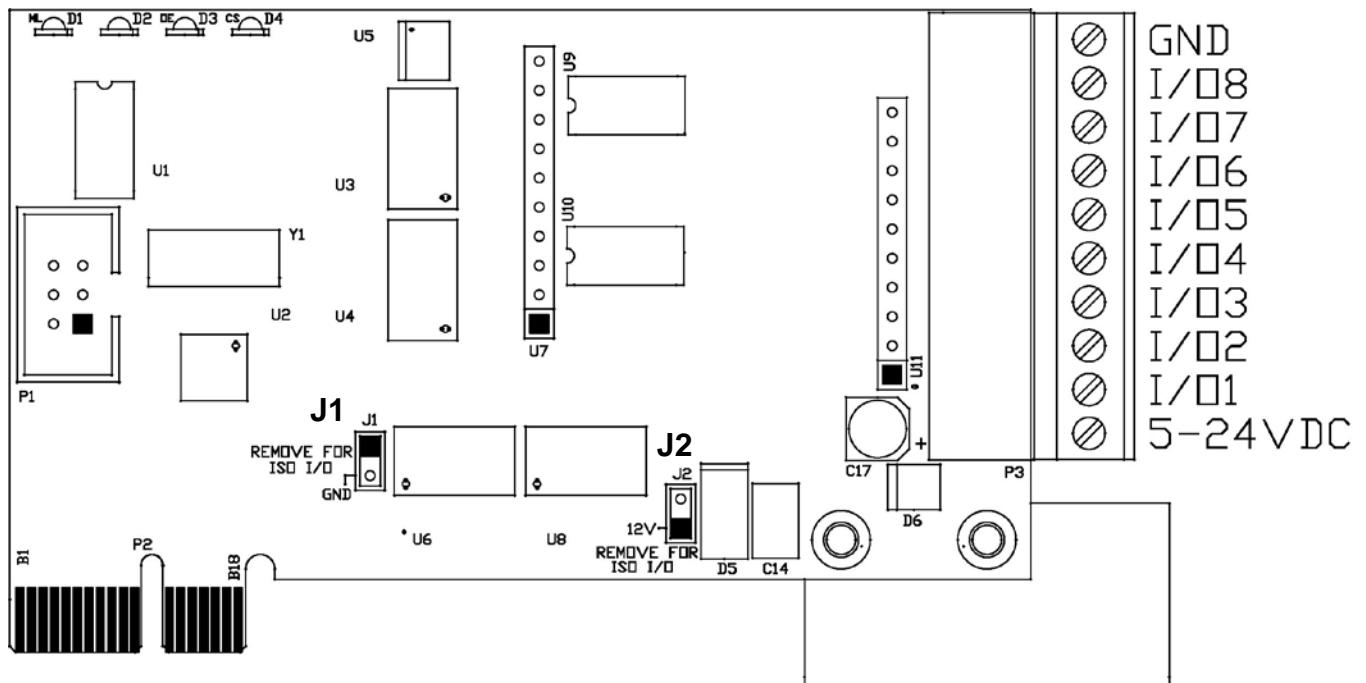
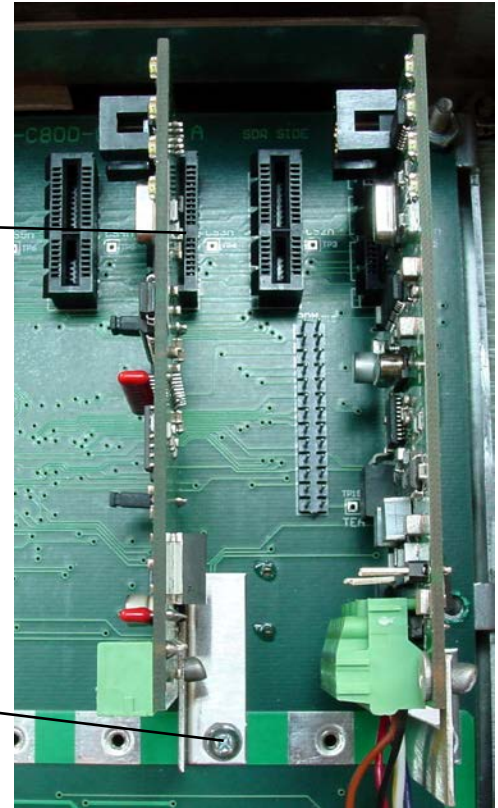
The 825-DIO card resides in the 825 main enclosure, has a PCI Express Bus (PCIe) connector and is secured by a single screw to provide an easy connection to the 825 internal hardware.

## Features

- 8 Isolated I/O Channels (when J1 & J2 are removed).
- Each channel can be configured as an input or output.
- 2500 Vrms isolation.
- 150mA sink current on output channels.
- Outputs can drive inductive loads like mechanical relays.
- Up to 24V input.

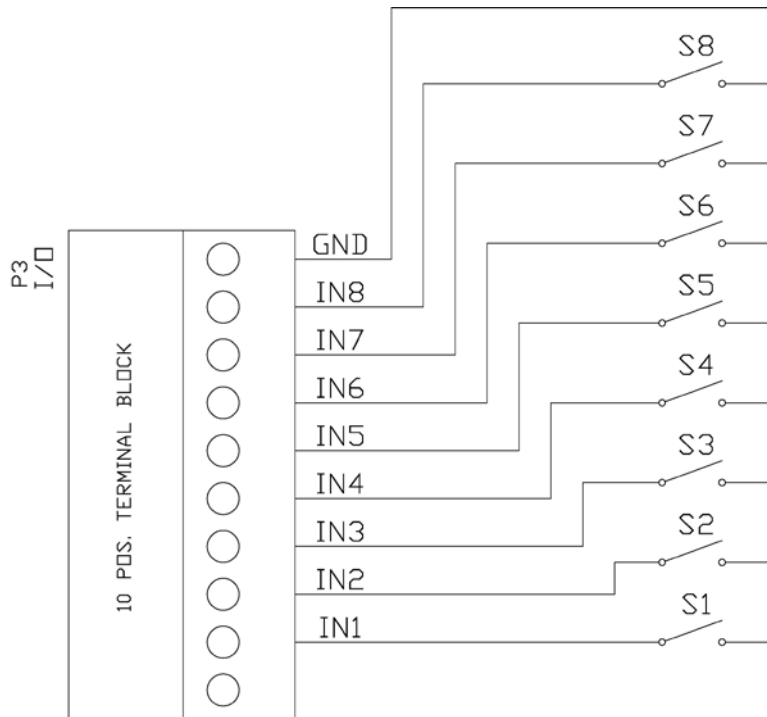
PCI Express Connector

Mounting Screw

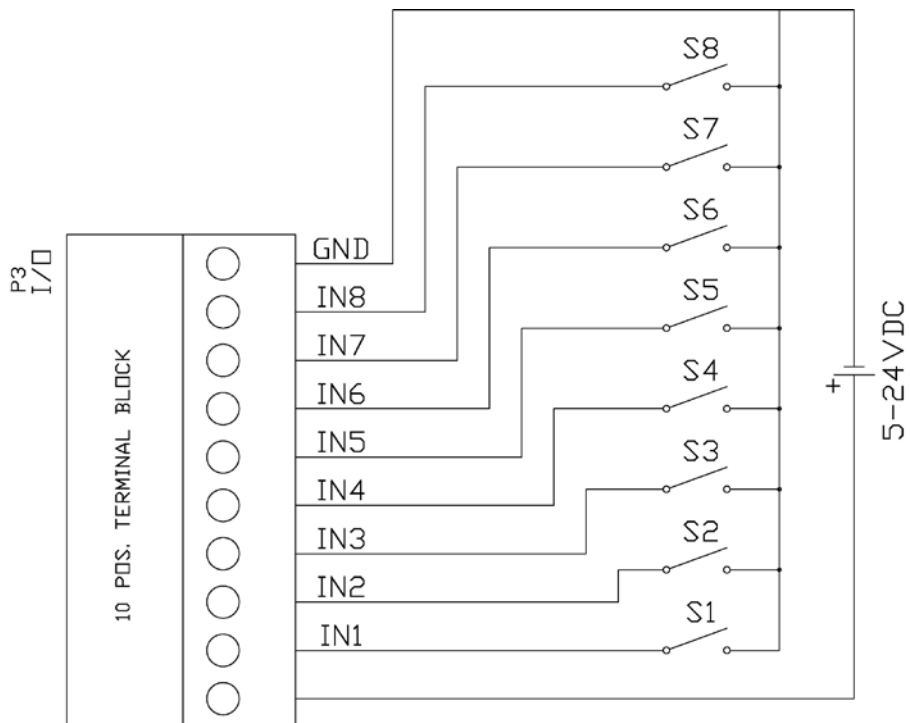


# CONNECTION DIAGRAMS

## Non-Isolated Input (J1 & J2 Installed)

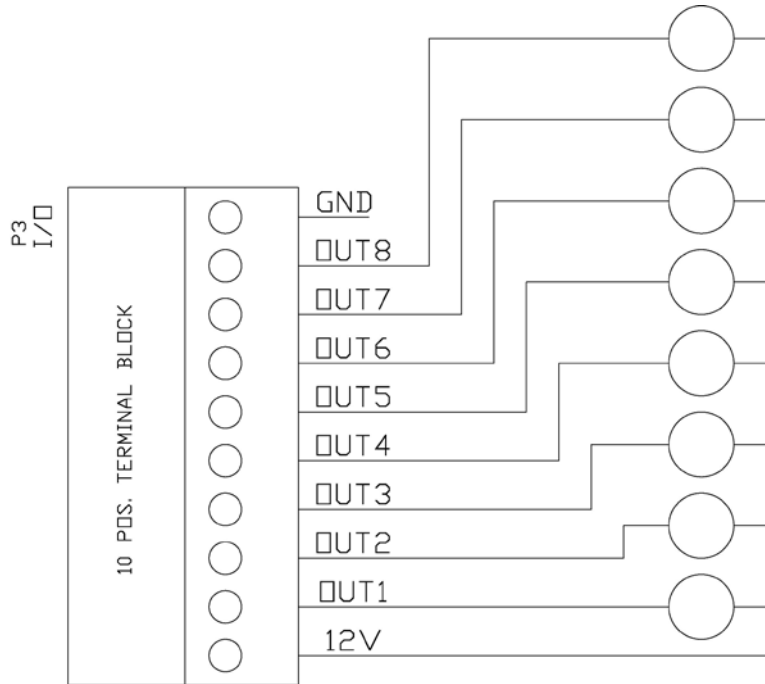


## Isolated Input (J1 & J2 Removed)

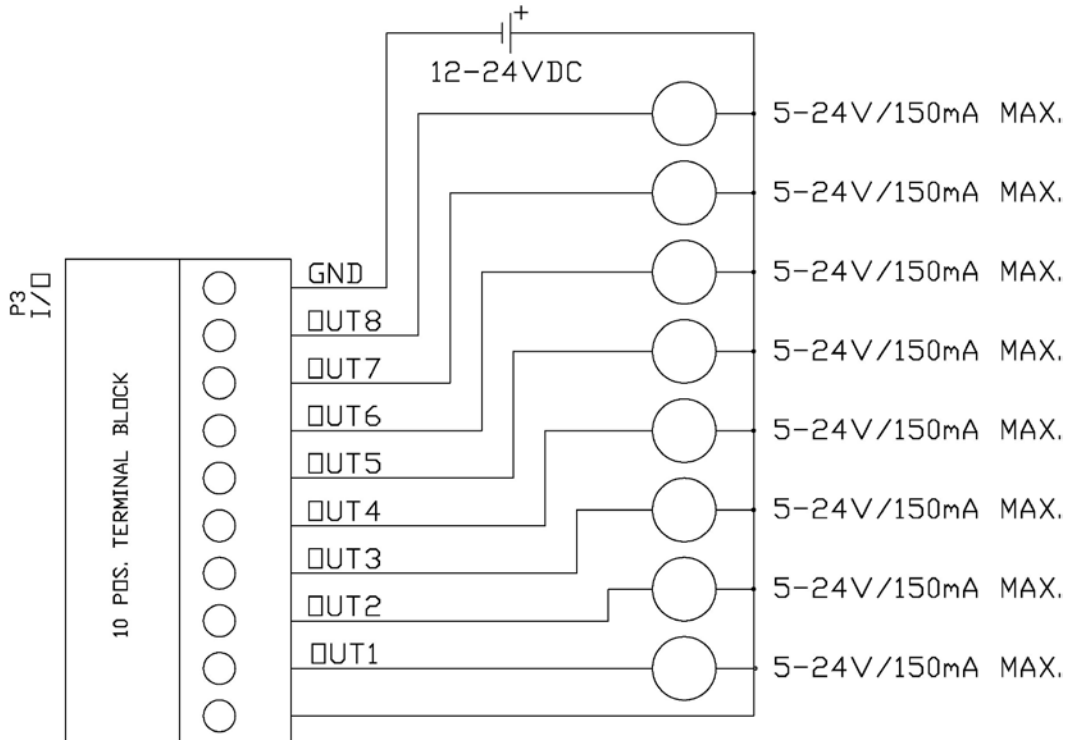


# CONNECTION DIAGRAMS, Cont.

## Non-Isolated Output (J1 & J2 Installed)



## Isolated Output (J1 & J2 Removed)





**Cardinal Scale Mfg. Co.**

*102 E. Daugherty, Webb City, MO 64870 USA*

*Ph: 417-673-4631 or 1-800-641-2008*

*Fax: 417-673-2153*

*www.cardinalscale.com*

*Technical Support: 1-866-254-8261*

*E-mail: tech@cardet.com*

Printed in USA

825-DIO Installation Guide